

Product Specifications and Scope of Work Model DBX1017FR

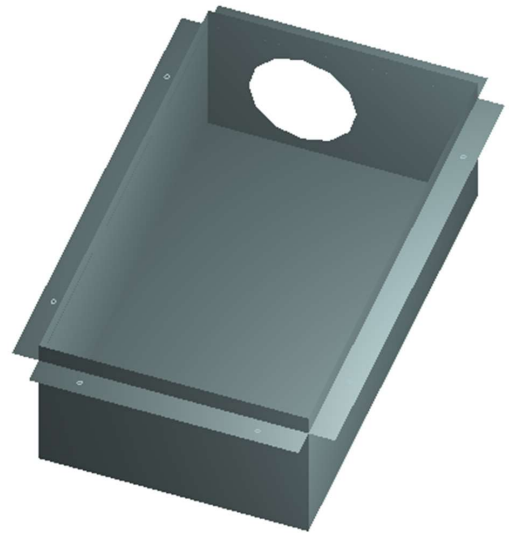
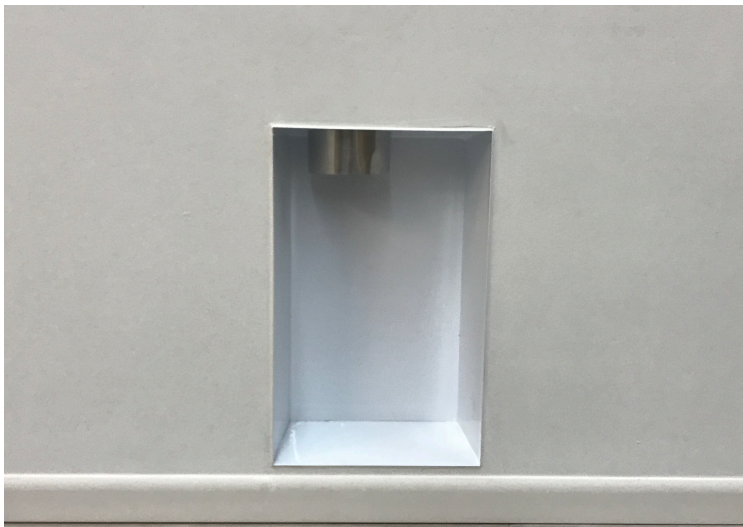
Designed For 2x6 Framing

**designed to accommodate all dryer types

Builder Specification Wording for HVAC:

“Recessed Fire Rated Metal Dryer Vent Box
Manufactured by Construction Solutions

SKU# DBX1017FR

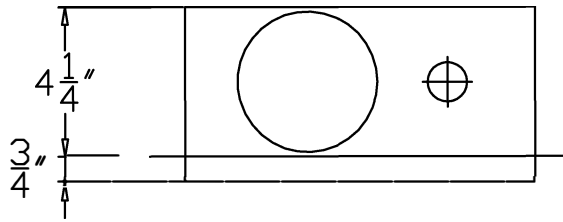


DBX1017 Fire Rated Metal dryer vent box

Manufactured by Construction Solutions

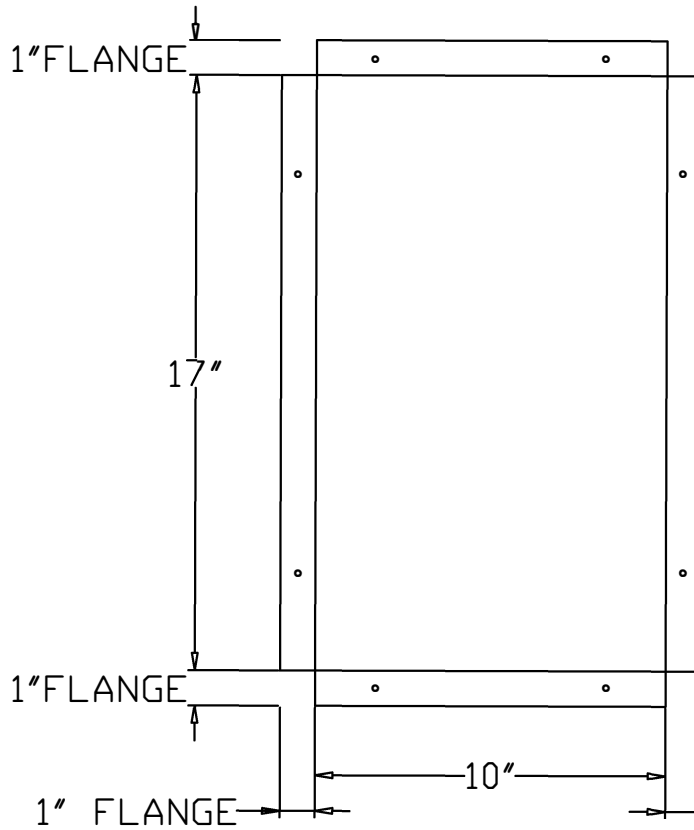
22415 N. Dr. Phoenix, AZ 85027

480-346-8240 www.newconstructionsolutions.com

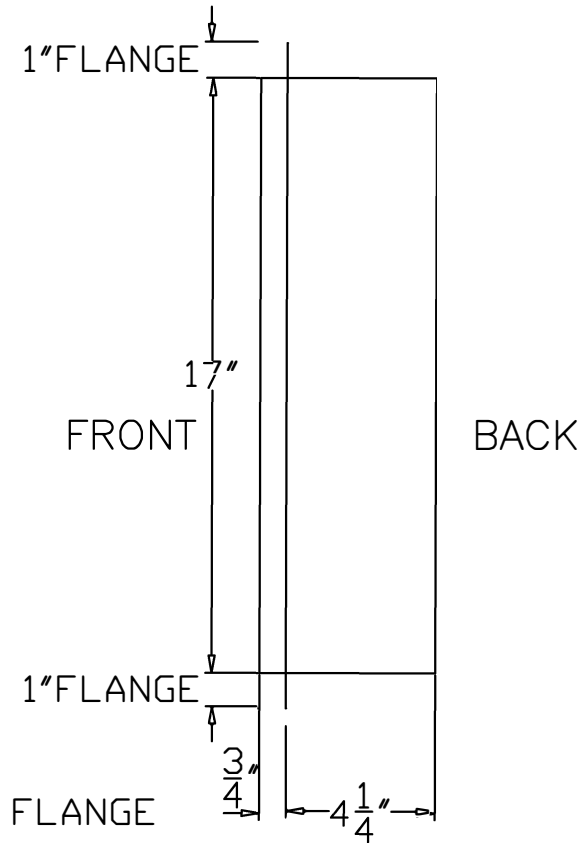


TOP VIEW

DBX1017FR
 DRYER VENT BOX
 DIMENSION VIEW



FRONT VIEW



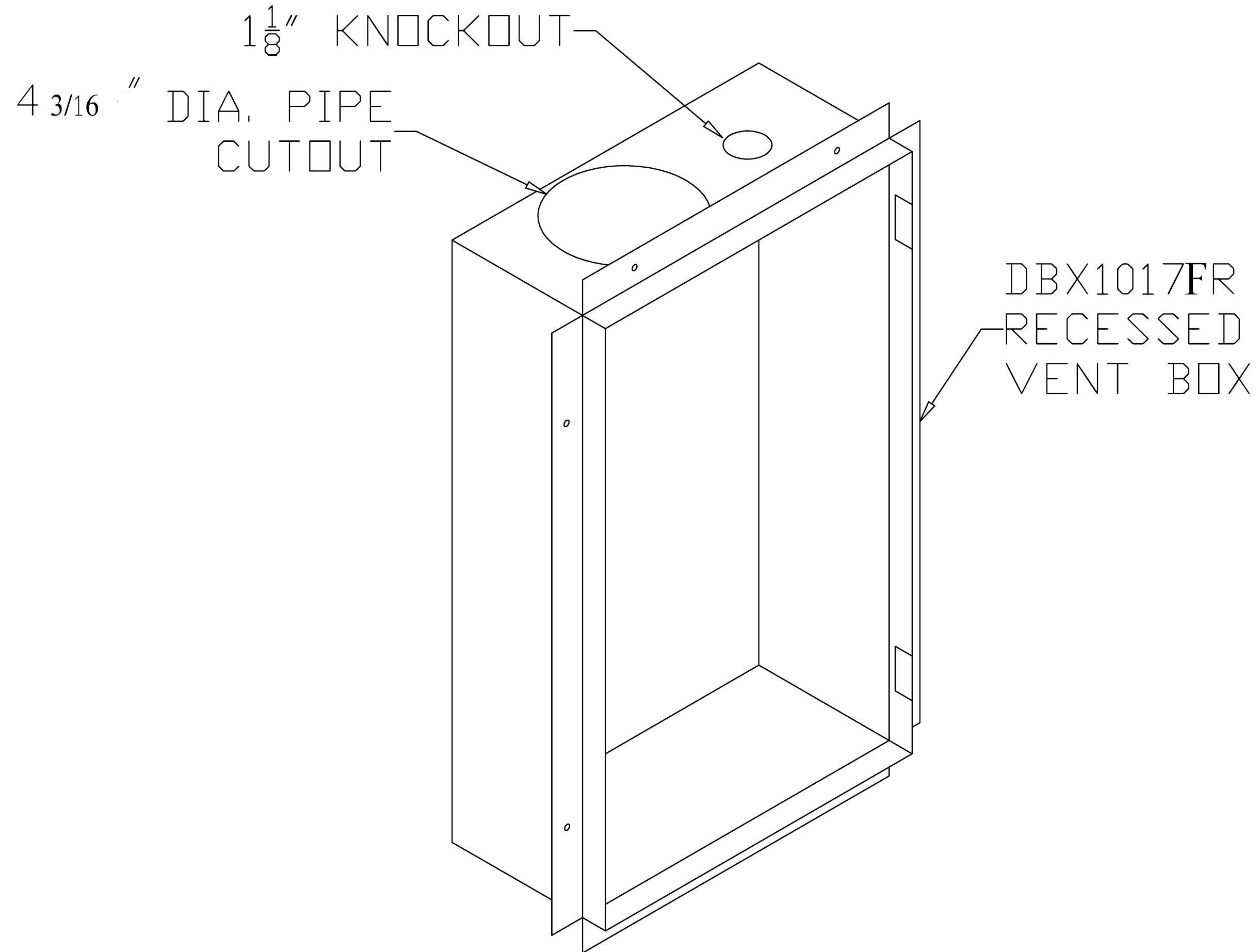
SIDE VIEW

22415 N. 18TH Drive
 Phoenix, AZ 85027
 Office: 480-346-8240
www.newconstructionsolutions.com

CONSTRUCTION
 SOLUTIONS

DBX1017FR
 DRYER VENT BOX

DBX1017FR
DRYER VENT BOX
ISOMETRIC VIEW



22415 N. 18TH Drive
Phoenix, AZ 85027
Office: 480-346-8240
www.newconstructionsolutions.com

CONSTRUCTION
SOLUTIONS

DBX1017FR
DRYER VENT BOX